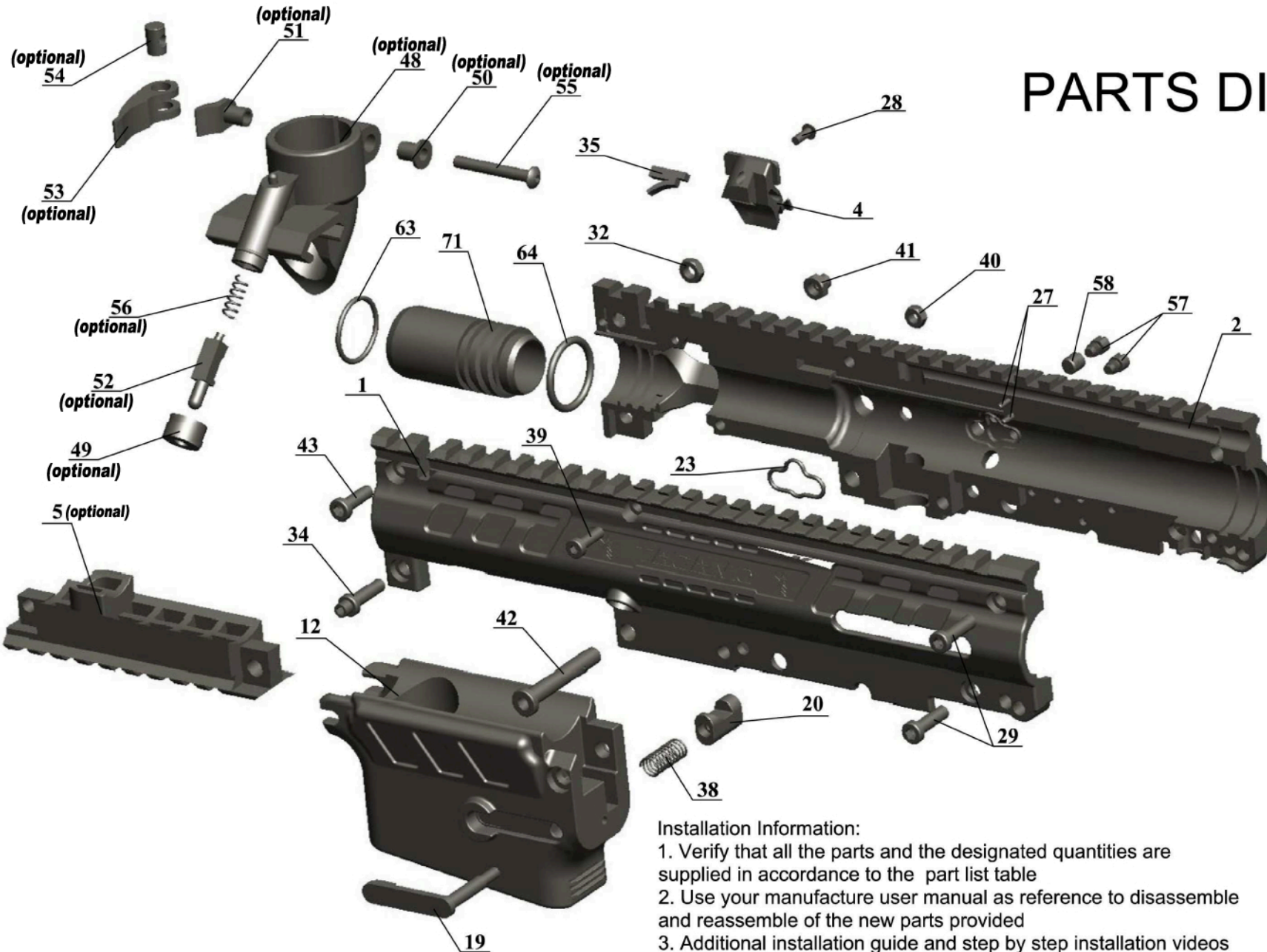


PARTS DIAGRAM



Part List

PART NO.	DESCRIPTION	QTY
MKV-1	MKV Main Body Left	1
MKV-2	MKV Main Body Right	1
MKV-4	Magazine Feed Cover	1
MKV-5	Bottom Rail <i>(optional)</i>	1
MKV-12	Magazine Housing	1
MKV-19	Magazine Hook	1
MKV-20	Magazine Release	1
MKV-23	O-Ring	1
MKV-27	Short Pin	2
MKV-28	Magazine Feed Cover Screw	1
MKV-29	Screw	2
MKV-32	Nut	3
MKV-34	Magazine Set Screw	1
MKV-35	Ball Stopper	1
MKV-38	Magazine Spring	1
MKV-39	M4 Screw	1
MKV-40	M4 Nut	1
MKV-41	Magazine Set Nut	1
MKV-42	Magazine Housing Pin	1
MKV-43	Short Screw	1
MKV-48	Hopper Adapter <i>(optional)</i>	1
MKV-49	Hopper Cover <i>(optional)</i>	1
MKV-50	Adjust Cover A <i>(optional)</i>	1
MKV-51	Adjust Cover B <i>(optional)</i>	1
MKV-52	Hopper Bottom <i>(optional)</i>	1
MKV-53	Adjust <i>(optional)</i>	1
MKV-54	Adjust Locator <i>(optional)</i>	1
MKV-55	Adjust Screw <i>(optional)</i>	1
MKV-56	Hopper Spring <i>(optional)</i>	1
MKV-57	Air Plug	2
MKV-58	M6 Air Plug	1
MKV-63	O-Ring	1
MKV-64	O-Ring	1
MKV-71	Barrel Adapter	1

Installation Information:

1. Verify that all the parts and the designated quantities are supplied in accordance to the part list table
2. Use your manufacture user manual as reference to disassemble and reassemble of the new parts provided
3. Additional installation guide and step by step installation videos are available at tacamopaintball.com/support/